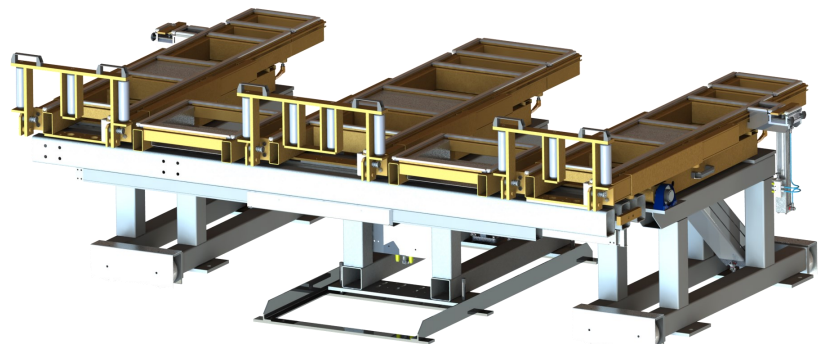
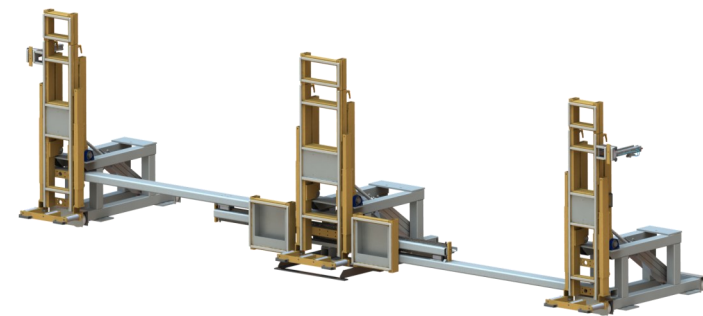


Assembly tilting table „MULTIFLEX“

extendable from 2800 to 7000 mm

45.10V061



Operation range:

- for the assembly of lifting / sliding doors and large, heavy elements in PVC, aluminum and wood

Technical Specification (Standard):

- Base Module B = 500 mm, a sliding module B = 350 mm on each side
- Modules extendable in the height from 2100 up to 3200 mm
- Modules adjustable in the length from 2800 to 7000 mm
- working surface occupied with felt strips
- fixed support arms with uPVC sliding strips
- 1 piece flat clamping cylinder to fix the elements
- pneumatic tilting device 0 to 90 °
- working height 900 - 1000 mm
- load capacity 400 kg